

RISE



DOWNDRAFT

ASPIRE SERIES

Dimensions

30"W x 12 1/2"D x 14"H
36"W x 12 1/2"D x 14"H

Models

ERS630SS Rise 30" Stainless
ERS636SS Rise 36" Stainless

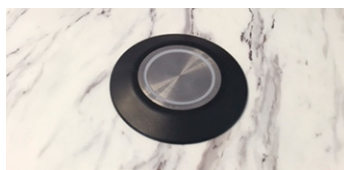
Special features



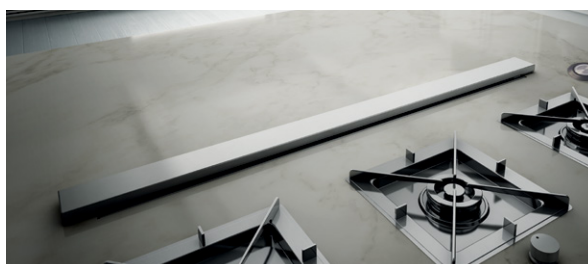
PERIMETER ASPIRATION



anodized aluminum mesh grease filters plus perimeter aspiration plate



electronic rotating disc control



When the view out your kitchen window is too spectacular to disrupt with a range hood, Elica's Rise is the perfect solution. Rise recesses completely out-of-sight into the countertop (when not in use), but when it's time to cook, Rise elevates a full 14" above the countertop (almost twice the height of competitors), for added ventilating efficiency. On top of that, Elica added Perimeter Aspiration Technology, which increases suction 35% and actually draws air from the front burner effectively, to create the best functioning downdraft on the market.

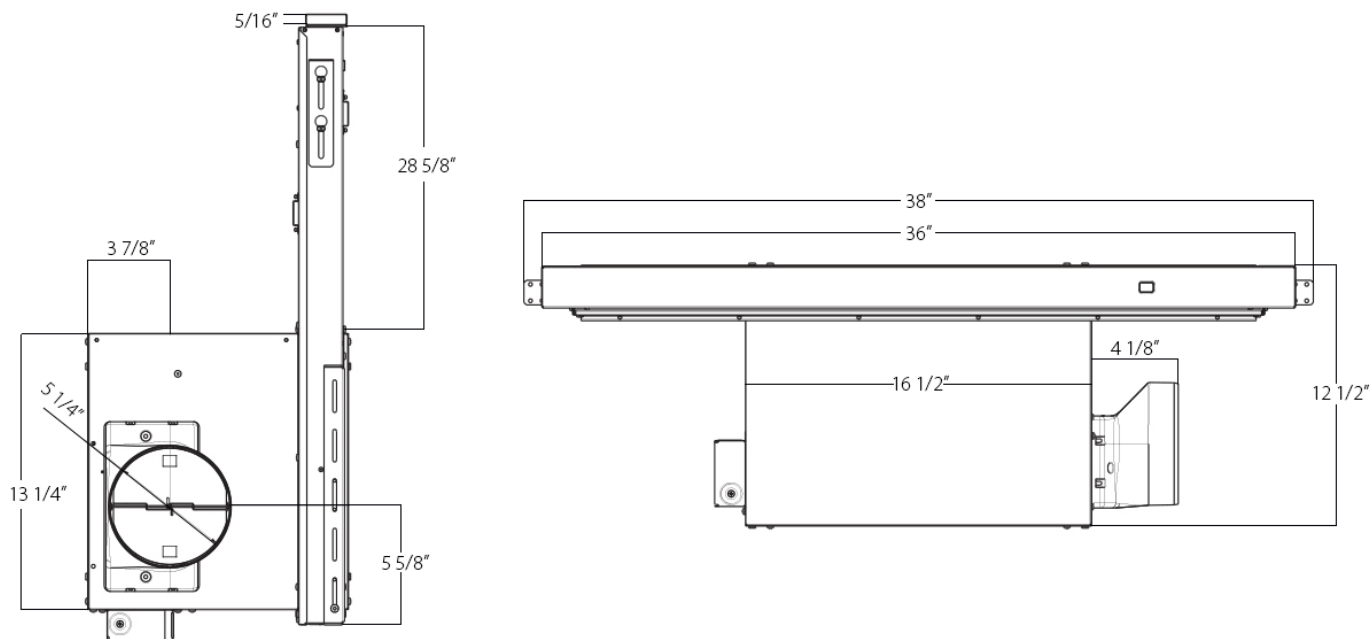
Rise comes equipped with a powerful 600 CFM internal blower, which is operated by an electronic rotating control that's flush mounted into the countertop or cabinet face.

For maximum flexibility, the blower can be rotated to the opposite side to make room for a floor mounted range.

FEATURES

Size (in) & Type Finish	30" or 36" Wide Downdraft Stainless Steel
Controls	Electronic Rootating Disc
Installation Type	Ducted Installation only
Blower Type	600 CFM, 4-Speed Internal
Blower Performance	Speed 1, 205 CFM, 1.9 Sones Speed 2, 350 CFM, 3.4 Sones Speed 3, 510 CFM, 6.0 Sones Speed 4, 600 CFM, 8.0 Sones
Filter Type	Perimeter Aspiration (Aluminium Mesh Filter Behind) Plus Perimeter Aspiration Plate
Duct Transition	6" Round with Black Draft Damper (side)
Electrical	120V-60Hz 410 Watts at 3.4 Amps
Warranty	2 Year Parts & Labor, In-Home Service

LINE DRAWING



CONSUMABLE PARTS

Replacement Grease Filter (1) CODE: GRI0107245A

Consumable parts are sold in units of one (1). Order accordingly.

SPECIAL FEATURES



Elica Perimeter Aspiration:

First developed by Elica, this technology literally turned the market 45 degrees and opened the door to hoods that could be mounted on the wall like picture frames. The technology draws air through a narrowed channel around a face plate, which increases suction, without increasing blower speed or energy consumption.