



COSA MANCA: PANE  
Biscotti  
Fragole  
Melanzane  
Zucchine

SLEEK  
DESIGN FABRIZIO CRISÀ

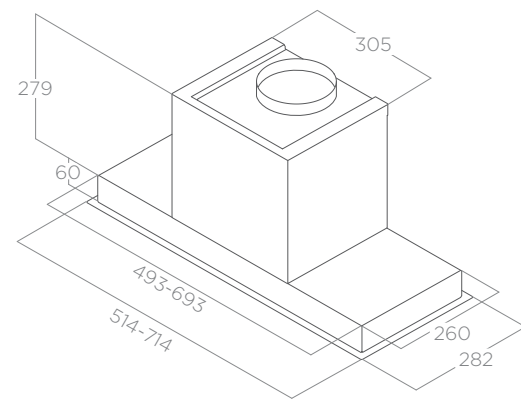




## SLEEK ADVANCE

DESIGN FABRIZIO CRISÀ

60 - 80 cm  
Duct-out / Re-circulating  
Stainless steel, black soft touch effect



The hood is equipped with the Airmatic feature, which thanks to a smart sensor allows it to power on automatically. This guarantees clean air inside the home at any moment of the day and greater protection of the kitchen cabinets and furniture.

LIGHTING	
Type	STRIP LED 1x7W
Intensity	477 LUX
Temperature	3000-3500-4000 K

SPECIFICATION	
Controls	Electronic push button
Speeds	3 + boost
Booster airflow	690 m <sup>3</sup> /h
Noise level min-max	51 - 67 dBA
Total absorption	277 W
Aluminium grease filter	Included

ACCESSORIES	
Regeneratable charcoal filter	CFC0140096
Air diffuser grid kit 150mm	KIT0162617
Telescopic chimney kit h18,5+h18,5m	KIT0141458

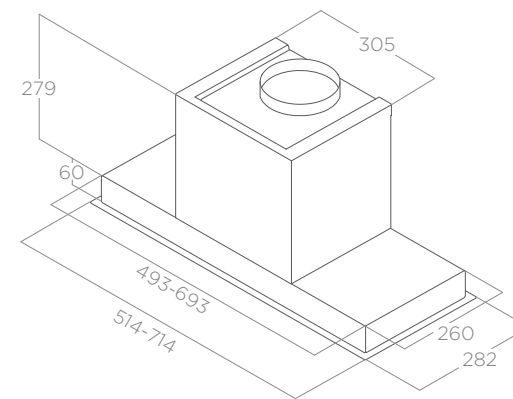
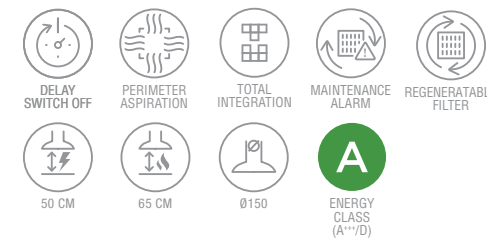
MODELS	
SLEEK ADVANCE 60 Stainless steel	PRF0180299
SLEEK ADVANCE 60 Black	PRF0183971
SLEEK ADVANCE 80 Stainless steel	PRF0182867
SLEEK ADVANCE 80 Black	PRF0189331



## SLEEK 2.0

DESIGN FABRIZIO CRISÀ

60 - 80 cm  
Duct-out / Re-circulating  
Stainless steel, stainless steel + white glass



LIGHTING	
Type	Strip LED 1x7 W
Intensity	365 LUX
Temperature	3500 K

SPECIFICATION	
Controls	Electronic push button
Speeds	3 + boost
Booster airflow	700 m <sup>3</sup> /h
Noise level min-max	51 - 67 dBA
Total absorption	277 W
Aluminium grease filter	Included

ACCESSORIES	
Regeneratable charcoal filter	CFC0140096
Air diffuser grid kit 150mm	KIT0162617
Telescopic chimney kit h18,5+h18,5m	KIT0141458

MODELS	
SLEEK 2.0 60 Stainless steel	PRF0092333A
SLEEK 2.0 60 Stainless steel + white glass	PRF0097676A
SLEEK 2.0 80 Stainless steel	PRF0095073A
SLEEK 2.0 80 Stainless steel + white glass	PRF0097708A



LANE  
DESIGN FABRIZIO CRISÀ



LANE BLACK MATT

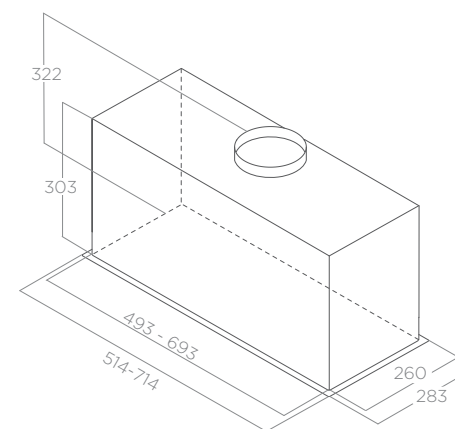
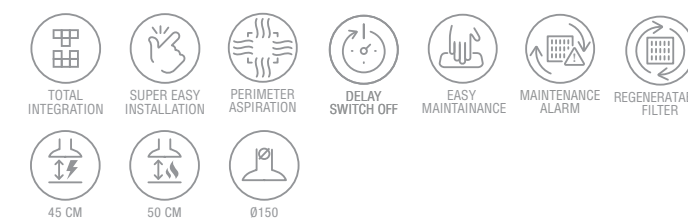


LANE STAINLESS STEEL

## LANE

DESIGN FABRIZIO CRISÀ

60 - 80 cm  
Duct-out / Re-circulating  
Stainless steel, black soft touch effect, white



The product is equipped with a patented mounting system. Through the use of two clips found on the sides of the hood body and with only two bottom screws, it can be installed into the cabinet in less than one minute.

### LIGHTING

Type	STRIP LED 1x7W
Intensity	365 LUX
Temperature	3500 K

### SPECIFICATION

Controls	Electronic push button 3 + boost
Booster airflow	650 m <sup>3</sup> /h
Noise level min-max	49 - 65 dBA
Total absorption	257 W
Aluminium grease filter	Included

### ACCESSORIES

Charcoal filter	CFC0140343
Regenerable charcoal filter	CFC0162221
Air diffuser grid kit 150mm	KIT0162617

### MODELS

LANE 60 Stainless steel	PRF0157333
LANE 60 Black	PRF0165830
LANE 60 White	PRF0157357
LANE 80 Stainless steel	PRF0157377
LANE 80 Black	PRF0165834
LANE 80 White	PRF0157394



# BOXIN DRY

DESIGN FABRIZIO CRISÀ



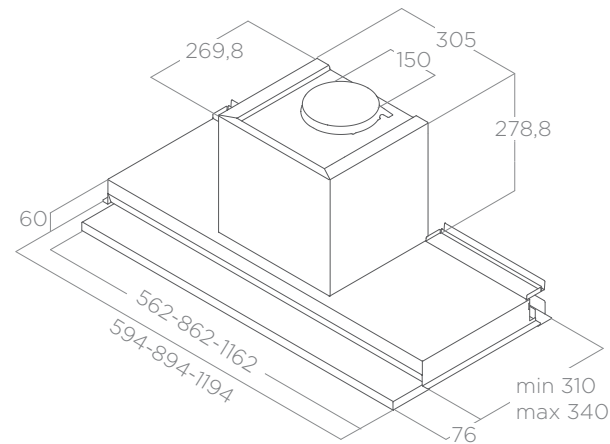




## BOXIN DRY

DESIGN FABRIZIO CRISÀ

60 - 90 - 120 cm  
Duct-out / Re-circulating  
Stainless steel



The product was designed to reduce the contact of cooking vapor with the hood surfaces, thus preventing the formation of condensation through a mechanical system, avoiding bothersome dripping onto the hob.

LIGHTING	
Type	LED 2x2.1W - LED 3x2.1W (120cm)
Intensity	181 LUX - 211 LUX (120cm)
Temperature	3500 K

SPECIFICATION	
Controls	Electronic push button
Speeds	3 + boost
Booster airflow	700 m <sup>3</sup> /h
Noise level min-max	52 - 67 dBA
Total absorption	255 W
Stainless steel grease filters	Included

ACCESSORIES		
Charcoal filter	CFC0140343	
Regenerable charcoal filter	CFC0162221	
Air diffuser grid kit 150mm	KIT0162617	
Chimney kit H12	KIT0091876	
Chimney kit H18,5+18,5	KIT0141458	

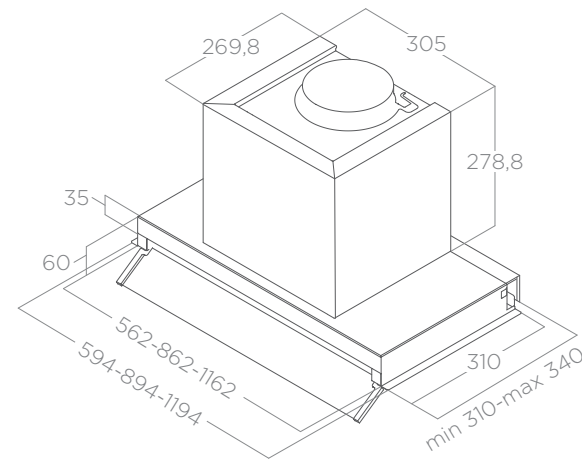
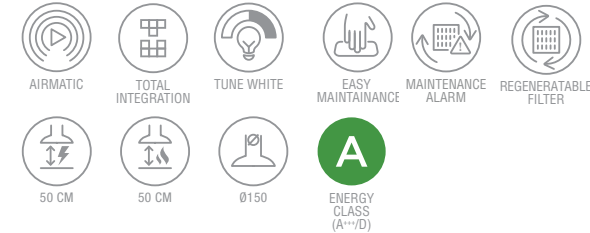
MODELS	
BOXIN DRY 60	PRF0181274
BOXIN DRY 90	PRF0181068
BOXIN DRY 120	PRF0181338



## BOXIN ADVANCE

DESIGN FABRIZIO CRISÀ

60 - 90 - 120 cm  
Duct-out / Re-circulating  
Stainless steel



The hood is equipped with the Airmatic feature that thanks to a smart sensor, allows it to automatically power on. This guarantees clean air inside the home at all times of the day, as well as increased protection of cabinets and kitchen furnishings.

LIGHTING	
Type	STRIP LED 1X7W
Intensity	421 LUX
Temperature	3000 - 3500 - 4000 K

SPECIFICATION	
Controls	Electronic push button
Speeds	3 + boost
Booster airflow	730 m <sup>3</sup> /h
Noise level min-max	50 - 64 dBA
Total absorption	257 W
Stainless steel grease filters	Included

ACCESSORIES		
Charcoal filter	CFC0140343	
Regenerable charcoal filter	CFC0162221	
Air diffuser grid kit 150mm	KIT0162617	
Chimney kit H12	KIT0091876	
Chimney kit H18,5+18,5	KIT0141458	

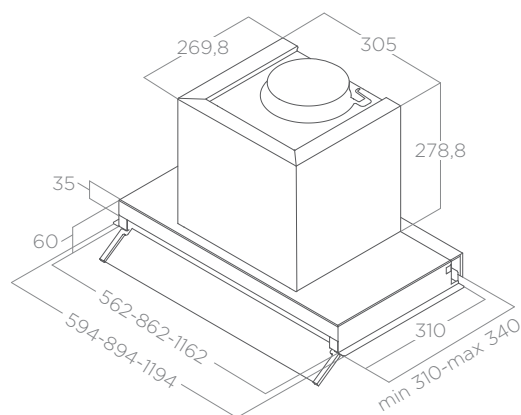
MODELS	
BOXIN ADVANCE 60	PRF0180599
BOXIN ADVANCE 90	PRF0181497
BOXIN ADVANCE 120	PRF0182703



## BOXIN HE

ELICA DESIGN CENTER

60 - 90 - 120 cm  
Duct-out / Re-circulating  
Stainless steel + white glass



LIGHTING	
Type	LED 2x2,5 W
Intensity	381 LUX
Temperature	3500 K

SPECIFICATION	
Controls	Mechanical rotative
Speeds	3
Max airflow	610 m <sup>3</sup> /h
Noise level min-max	49 - 70 dBA
Total absorption	255 W
Aluminium grease filter	Included

ACCESSORIES	
Charcoal filter	CFC0140343
Regeneratable charcoal filter	CFC0162221
Air diffuser grid kit 150mm	KIT0162617
Chimney kit H12	KIT0091876
Chimney kit H18,5+18,5	KIT0141458

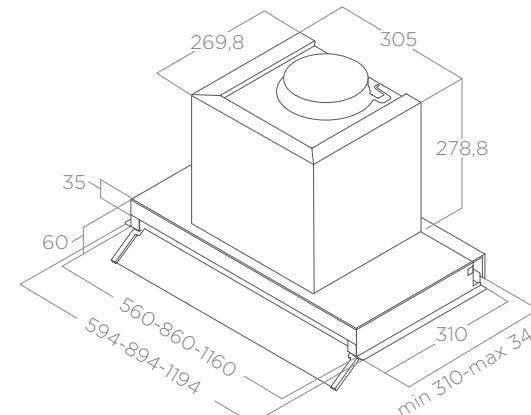
MODELS	
BOXIN HE 60	PRF0097795A
BOXIN HE 90	PRF0097796A
BOXIN HE 120	PRF0097797A



## BOXIN LUX

ELICA DESIGN CENTER

60 - 90 - 120 cm  
Duct-out / Re-circulating  
Stainless steel



LIGHTING	
Type	LED 2x2,5 W
Intensity	381 LUX
Temperature	3500 K

SPECIFICATION	
Controls	Mechanical rotative
Speeds	3
Max airflow	620 m <sup>3</sup> /h
Noise level min-max	50 - 70 dBA
Total absorption	255 W
Aluminium grease filter	Included

ACCESSORIES	
Charcoal filter	CFC0140343
Regeneratable charcoal filter	CFC0162221
Air diffuser grid kit 150mm	KIT0162617
Chimney kit H12	KIT0091876
Chimney kit H18,5+18,5	KIT0141458

MODELS	
BOXIN LUX 60 Stainless steel	PRF0114760A
BOXIN LUX 90 Stainless steel	PRF0114761A
BOXIN LUX 120 Stainless steel	PRF0114762A



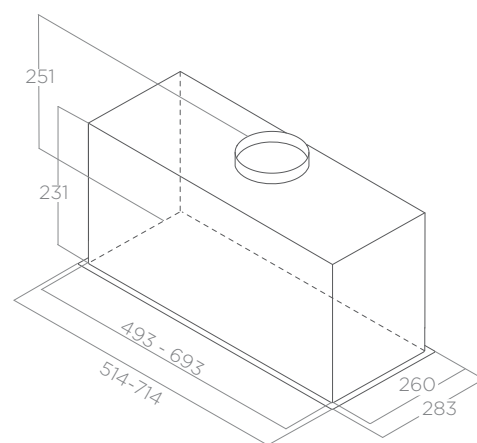
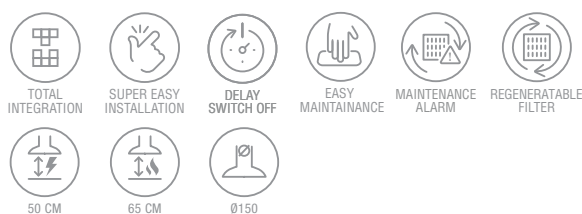




# FOLD S

ELICA DESIGN CENTER

60 - 80 cm  
Duct-out / Re-circulating  
Stainless steel



The product is equipped with a patented mounting system. Through the use of two clips found on the sides of the hood body and with only two bottom screws, it can be installed into the cabinet in less than one minute.

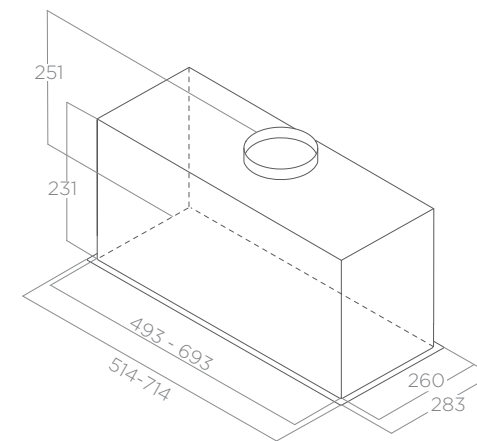
LIGHTING	
Type	STRIP LED 1X7W
Intensity	477 LUX
Temperature	3500 K
SPECIFICATION	
Controls	Electronic push button
Speeds	3 + boost
Booster airflow	710 m <sup>3</sup> /h
Noise level min-max	53 - 66 dBA
Total absorption	257 W
Stainless steel grease filters	Included
ACCESSORIES	
Charcoal filter	CFC0140343
Regeneratable charcoal filter	CFC0162221
Air diffuser grid kit 150mm	KIT0162617
MODELS	
FOLD S 60	PRF0181962
FOLD S 80	PRF0181963



# FOLD

ELICA DESIGN CENTER

60 - 80 cm  
Duct-out / Re-circulating  
Grey, black



The product is equipped with a patented mounting system. Through the use of two clips found on the sides of the hood body and with only two bottom screws, it can be installed into the cabinet in less than one minute.

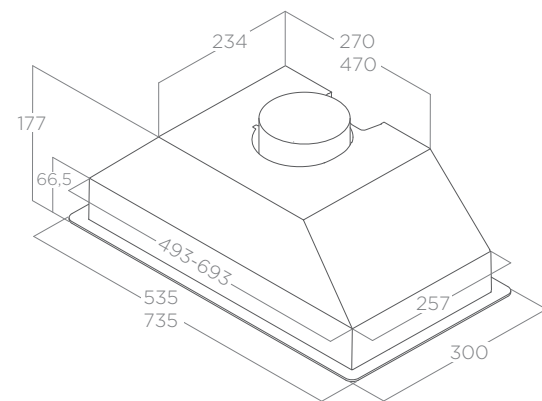
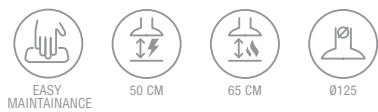
LIGHTING	
Type	LED 2X2.1W
Intensity	221 LUX
Temperature	3500 K
SPECIFICATION	
Controls	Soft light push button
Speeds	3
Booster airflow	600 m <sup>3</sup> /h
Noise level min-max	46 - 65 dBA
Total absorption	180 W
Aluminium grease filter	Included
ACCESSORIES	
Charcoal filter	CFC0140343
Regeneratable charcoal filter	CFC0162221
Air diffuser grid kit 150mm	KIT0162617
MODELS	
FOLD 60 Grey	PRF0180808
FOLD 60 Black	PRF0181960
FOLD 80 Grey	PRF0180820
FOLD 80 Black	PRF0181961



## ERA HE

ELICA DESIGN CENTER

60 - 80 cm  
Duct-out / Re-circulating  
Stainless steel



LIGHTING	
Type	LED 2x3 W
Intensity	73 LUX
Temperature	2700 K
SPECIFICATION	
Controls	Mechanical rotative
Speeds	3
Max airflow	428 m <sup>3</sup> /h
Noise level min-max	57 - 68 dBA
Total absorption	121 W
Stainless steel grease filters	Included
ACCESSORIES	
Charcoal filter	CFC0141571
MODELS	
ERA HE 60	PRF0142886
ERA HE 80	PRF0142744



ERA LUX 80 STAINLESS STEEL



ERA LUX 60 WHITE

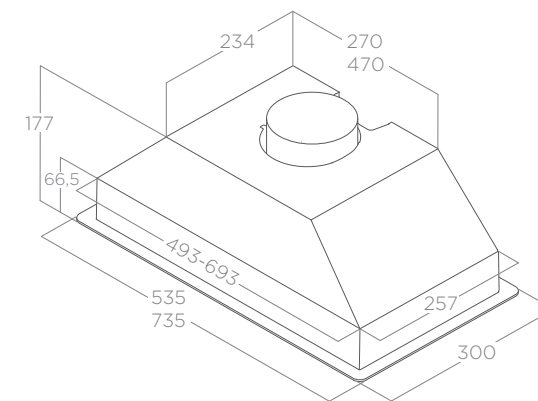
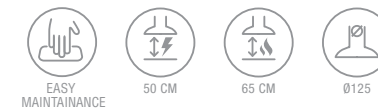


ERA LUX 60 BLACK

## ERA LUX

ELICA DESIGN CENTER

60 - 80 cm  
Duct-out / Re-circulating  
Stainless steel, white, black



LIGHTING	
Type	LED 2x3 W
Intensity	73 LUX
Temperature	2700 K
SPECIFICATION	
Controls	Mechanical push button
Speeds	3
Max airflow	368 m <sup>3</sup> /h
Noise level min-max	62 - 67 dBA
Total absorption	146 W
Aluminium grease filter	Included
ACCESSORIES	
Charcoal filter	CFC0141571
MODELS	
ERA LUX 60 Stainless steel	PRF0142723
ERA LUX 60 White	PRF0142716
ERA LUX 60 Black	PRF0166822
ERA LUX 80 Stainless steel	PRF0142741
ERA LUX 80 White	PRF0142728
ERA LUX 80 Black	PRF0166823

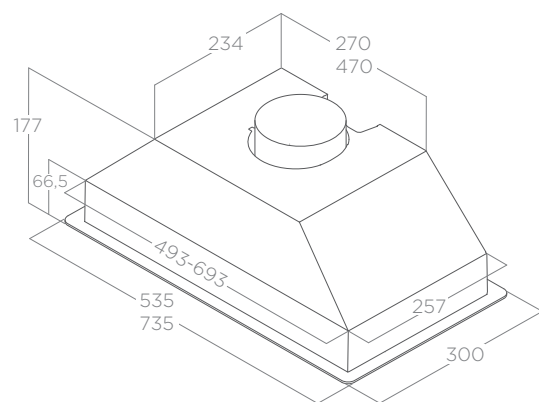
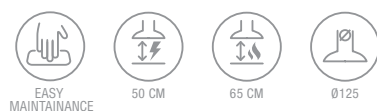




## ERA STD

ELICA DESIGN CENTER

60 - 80 cm  
Duct-out / Re-circulating  
Grey



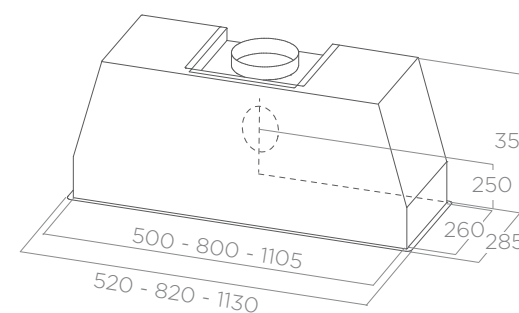
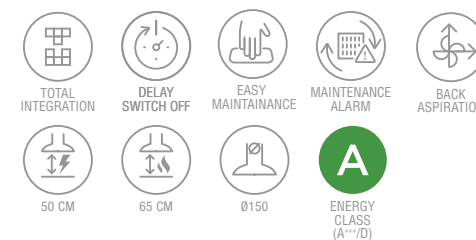
LIGHTING	
Type	LED 2x3 W
Intensity	78 LUX
Temperature	2700 K
SPECIFICATION	
Controls	Mechanical slider
Speeds	3
Max airflow	224 m <sup>3</sup> /h
Noise level min-max	45 - 54 dBA
Total absorption	81 W
Aluminium grease filter	Included
ACCESSORIES	
Charcoal filter	CFC0141571
MODELS	
ERA STD 60	PRF0142633
ERA STD 80	PRF0142701



## CT35 PRO

ELICA DESIGN CENTER

60 - 90 - 120 cm  
Duct-out  
Stainless steel



LIGHTING			
Type	STRIP LED 2x3W		
	60cm	90cm	120cm
Intensity	121 LUX	97 LUX	73 LUX
Temperature	4200 K	4200 K	4200 K
SPECIFICATION			
Controls	Electronic push button		
Speeds	3 + boost		
	60cm	90cm	120cm
Booster airflow	650 m <sup>3</sup> /h	750 m <sup>3</sup> /h	780 m <sup>3</sup> /h
Noise level min-max	51 - 73 dBA	50 - 69 dBA	52 - 69 dBA
Total absorption	281 W	281 W	281 W
Professional stainless steel grease filter	Included	Included	Included
ACCESSORIES			
Remote motor inline (GME11)	PRF0006209A		
External motor (GME22 A)	PRF0179706		
MODELS			
CT35 PRO 60	PRF0183203		
CT35 PRO RM 60	PRF0183213		
CT35 PRO 90	PRF0183209		
CT35 PRO RM 90	PRF0183218		
CT35 PRO 120	PRF0183210		
CT35 PRO RM 120	PRF0183219		

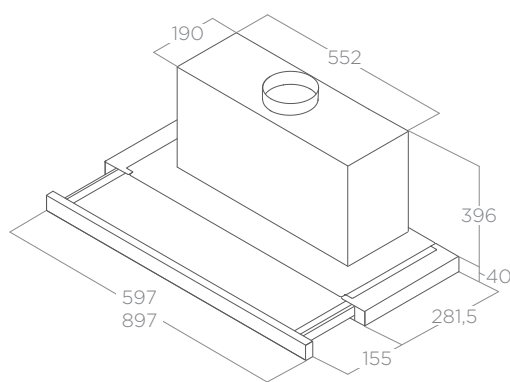
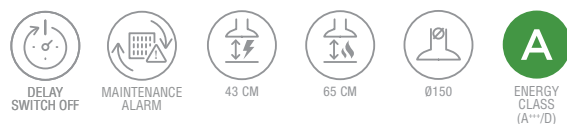




## ELITE 35

ELICA DESIGN CENTER

60 - 90 cm  
Duct-out / Re-circulating  
Silver + stainless steel



The front part of the product is easily removable and may be replaced with one of the same size, customizable in the same finish used on the kitchen cabinets.

LIGHTING	
Type	LED 2x3 W
Intensity	49 LUX
Temperature	2700 K

SPECIFICATION	
Controls	Electronic push button
Speeds	3 + boost
Booster airflow	640 m <sup>3</sup> /h
Noise level min-max	46 - 63 dBA
Total absorption	206 W
Aluminium grease filter	Included

ACCESSORIES	
Charcoal filter	CFC0140075
Air diffuser grid kit 150mm	KIT0162617

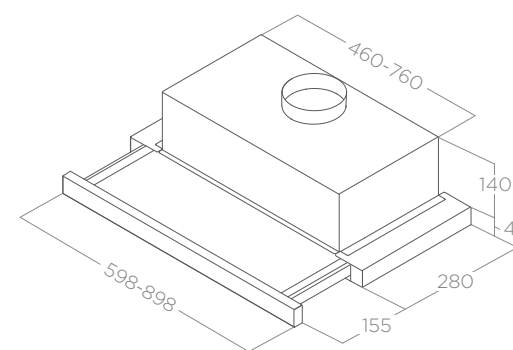
MODELS	
ELITE 35 60	PRF0139077
ELITE 35 90	PRF0139069



## ELITE 14

ELICA DESIGN CENTER

60 - 90 cm  
Duct-out / Re-circulating  
Silver + stainless steel



LIGHTING	
Type	LED 2x3 W
Intensity	73 LUX
Temperature	2700 K

SPECIFICATION	
Controls	Mechanical push button
Speeds	3
Max airflow	304 m <sup>3</sup> /h
Noise level min-max	46 - 62 dBA
Total absorption	121 W
Aluminium grease filter	Included

ACCESSORIES	
Charcoal filter	CFC0141571

MODELS	
ELITE 14 LED 60	PRF0037989B
ELITE 14 LED 90	PRF0037992B

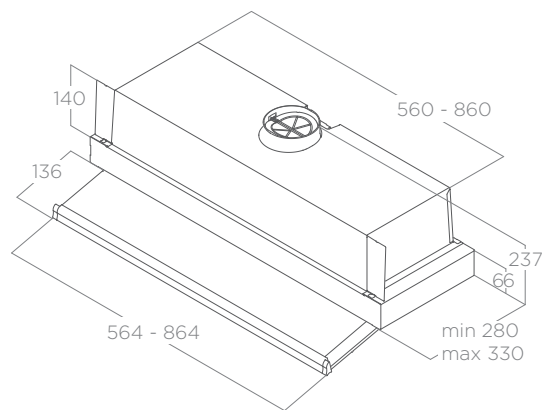
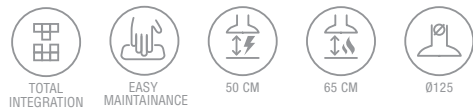




## SKLOCK-S

ELICA DESIGN CENTER

60 - 90 cm  
Duct-out / Re-circulating  
Silver



Its extremely simple and essential design allows it to completely disappear into the cabinet. The hood is equipped with a front visor that protects the cabinet door during cooking, conveying vapor through the extraction zone.

LIGHTING	
Type	LED 2X2.5W
Intensity	141 LUX
Temperature	3500 K

SPECIFICATION	
Controls	Mechanical slider
Speeds	3
Max airflow	425 m <sup>3</sup> /h
Noise level min-max	57 - 69 dBA
Total absorption	120 W
Aluminium grease filter	Included

ACCESSORIES	
Charcoal filter	CFC0141571

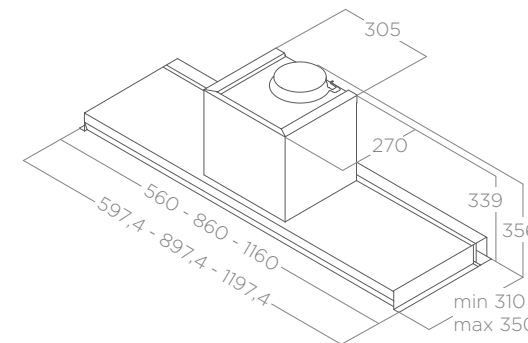
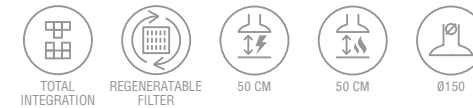
MODELS	
SKLOCK-S 60	PRF0181902
SKLOCK-S 90	PRF0181903



## LEVER

ELICA DESIGN CENTER

60 - 90 - 120 cm  
Duct-out / Re-circulating  
Stainless steel + glass



A very simple and essential design characterizes this appliance, which is completely hidden in the cabinet. It is equipped with a frontal visor that protects the door during cooking, conveying vapours through the extraction area.

LIGHTING	
Type	LED 2x2,5W
Intensity	145 LUX
Temperature	3500 K

SPECIFICATION	
Controls	Mechanical push button
Speeds	3
Max airflow	603 m <sup>3</sup> /h
Noise level min-max	46 - 67 dBA
Total absorption	255 W
Aluminium grease filter	Included

ACCESSORIES	
Charcoal filter	CFC0140343
Regeneratable charcoal filter	CFC0162221
Air diffuser grid kit 150mm	KIT0162617
Chimney kit H12 Stainless steel	KIT0091876
Telescopic chimney kit h18,5+h18,5 Stainless steel	KIT0141458

MODELS	
LEVER 60	PRF0160153
LEVER 90	PRF0160152
LEVER 120	PRF0163362





# KREA

ELICA DESIGN CENTER

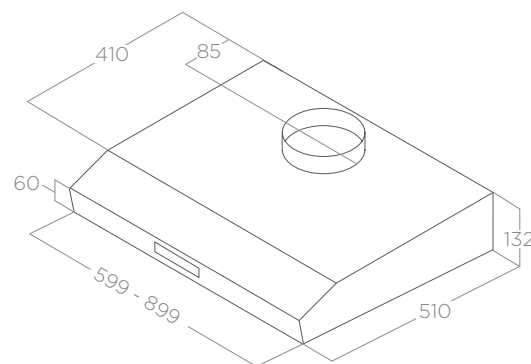
60 - 90 cm  
Duct-out / Re-circulating  
Stainless steel



50 CM

65 CM

Ø125



LIGHTING		
	STD	LUX
Type	LED 1x3 W	LED 2x3 W
Intensity	48 LUX	97 LUX
Temperature	2700 K	2700 K

SPECIFICATION		
Controls	Mechanical slider	
Speeds	3	
	STD	LUX
Max airflow	265 m³/h	336 m³/h
Noise level min-max	50 - 64 dBA	52 - 73 dBA
Total absorption	98 W	166 W
Aluminium grease filter	Included	Included
Charcoal filter	Included	Included

ACCESSORIES	
Charcoal filter	CFC0140064

MODELS	
KREA STD 60 Stainless steel	55311065B
KREA LUX 90 Stainless steel	55311129A