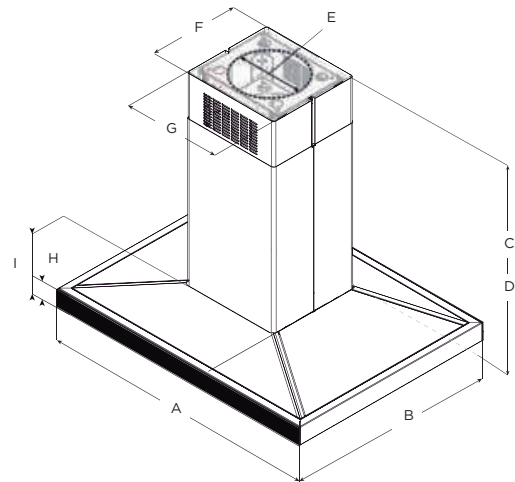




ELICA'S EXCLUSIVE PLUS FEATURES

Salice conveys understated elegance with a gently tapered canopy that measures only 5" tall, which opens up the kitchen for entertainment and conversation. Available in 36" and 42" widths, Salice features a powerful 600 CFM blower, LED Dimable lighting, perimeter aspiration and high-tech glass touch controls that deliver convenience and safety.

Designed for ducted installation, Salice can also be installed as a recirculating system using the Recirculating Kit, available as an accessory.



	Models	
	ESL636S3	ESL642S3
A	36" (91.4 cm)	42" (106.7 cm)
B	27 ¹ / ₂ " (69.6 cm)	
C*	Min: 32 ¹ / ₂ " (82.3 cm) Max: 52 ¹ / ₂ " (133.1 cm)	
D**	Min: 32 ¹ / ₂ " (82.3 cm) Max: 46 ³ / ₂ " (118.1 cm)	
E	6" (15.24 cm)	
F	12 ¹ / ₁₀ " (30.8 cm)	
G	13 ³ / ₈ " (33.5 cm)	
H	4 ⁶ / ₆₄ " (12.6 cm)	
I	2 ¹ / ₂ " (6 cm)	

* Ductless (Recirculating) version

** Ducted version

SPECIFICATIONS

Width:	36" UNIT	42" UNIT
Model:	ESL636S3	ESL642S3
Dimensions:	36"W x 27 4/5"D x min 32 4/5" max 52 4/5"H	42"W x 27 4/5"D x min 32 4/5" max 52 4/5"H
Blower Type(internal):**	600 CFM (3-speed+ Boost)	
Noise (sones):**	6.8 Sones	
Finish:	Stainless Steel With Black tempered Glass	
Controls:	Capacitive Touch (Glass)	
Illumination:	4 Premium Dimmable LED lights, 2.1 W, 4000 K	
Grease Filter:	Dishwasher-Safe, Anodized Aluminum Mesh Filter + Perimeter Aspiration 4 for 36" & 5 for 42"	
Duct Transition:	Round 6" Top Discharge	
Installation Type:	Ducted or Recirculating (Kit sold separately)	
Telescopic Chimney:	Can reach ceiling heights of min 7'9", max 9'11" (ducted out) & min 7'9", max 10'4" (recirculating).	
Electrical:	120V - 60 Hz, 540 W	
KITS:		
Recirculating Kit:	KIT0141924 (Contains 6" Deflector, 3 flat Carbon Filters and Clips)	
Long Chimney Extension:	KIT0100317 (Can reach 9'0" - 12'10" (ducted), 9'4" - 13'0" (recirculating))	
Charcoal filter Kit:	KIT0141918	
WARRANTY:***	Two (2) Years Parts & In-Home Labor. Earn an additional One (1) Year of Parts & In-Home Labor by registering on elica.com.	

PLUS FEATURES



TOP PERFORMANCE - Excellent performance for models equipped with this plus. High fume capturing capacity with an average aspiration range of 600 CFM's. with low noise levels, 1.2 - 1.7 sones at working speed.



PERIMETER ASPIRATION - First developed by Elica, this technology literally turned the market 180 degrees and opened the door to hoods that could be mounted on the wall like picture frames. The technology draws air through a narrowed channel around a face plate, which increases suction, without increasing blower speed or energy consumption.



LED LIGHT - LED lighting is undoubtedly the smartest solution in terms of energy saving. Expected life is over 20,000 hours, and should last the full life of the hood.



CFM REDUCTION - CFM Reduction System (CRS), is an exclusive feature to Elica hoods, which enables the user to reduce the maximum blower CFM, to meet local code requirements.



ELECTRONIC TOUCH CONTROLS - Enjoy the modern design and convenience of multi-function electronic touch controls, which are discreetly hidden behind sleek black glass, and will illuminate a soft blue when activated.



DIM-LIGHT - The Dimmer allows you to adjust the brightness of the light as you wish. With Elica, lighting is customized in a discreet, personal and practical way, in order to contribute in creating the perfect kitchen atmosphere.



HUSH SYSTEM - An exclusive sound deadening technology that effectively reduces sound levels up to 35%, compared to typical range hoods.



Certified Ratings	High Speed	Working Speed	Duct Size
CFM	400	170	6" (Vertical)
Sones	7	1.5	6" (Vertical)

* The product images shown are for illustration purposes only and may not be an exact representation of the product.

** Blower performance indicates the performance of the blower by itself. Performance claims are not AHAM certified but were established in accordance with HVI Standardized test procedure. For Certified Ratings, please refer to AHAM Certified Product Directory. Electric Ratings are declared according to UL.

*** For valid warranty extension, register within 3 months from purchase. For USA & Canada Users Only.