

COMFORT SERIES
ASTI 28

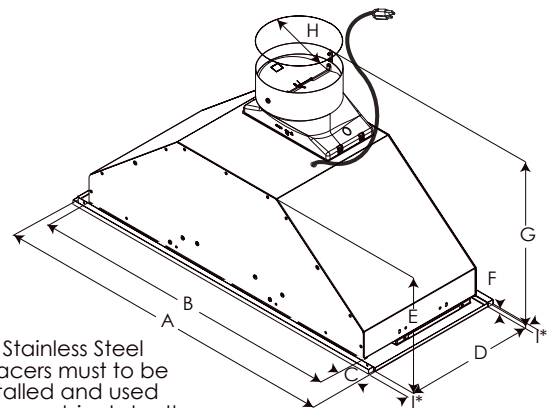


Asti is designed for discreet mounting inside cabinetry, fits perfectly into 12" deep cabinetry and is ideal for kitchens where space is limited or the range hood needs to be out of sight.

Asti comes equipped with a powerful 400 CFM blower that can handle most cooking needs.

Convenient Stainless steel look, multiple backlight color touch controls illuminate in elegant white, green, blue or red when operating the 3 speed blower and Dual LED lighting. Multiple clicking sound options are also available.

While dishwasher safe anodized aluminum mesh filters offer easy maintenance. Asti is designed for standard ducted or recirculating installation.



I* - Stainless Steel Spacers must be installed and used when cabinet depth is greater than 12".

	EAS428S2
A	28 ¹ / ₄ " (71.8 cm)
B	26" (66 cm)
C	1 ¹ / ₈ " (2.9 cm)
D	10 ³ / ₄ " (27.3 cm)
E	9 1/2" (24.2 cm)
F	5 ¹ / ₁₆ " (.85 cm)
G	14 ⁹ / ₁₆ " (37 cm)
H	6" (15.2 cm)
I*	1/2" (1.27 cm)



MOUNTING
 HEIGHT
 RANGE

COMFORT SERIES
ASTI 28



SPECIFICATIONS

Width:	28" Unit
Model:	EAS428S2
Dimensions:	28 1/4 "W x 10 3/4 "D x 14 9/16"H
Blower Type(internal):**	400 CFM (4-speed)
Sones (Free outlet):**	5.9 Sones
Finish:	Stainless Steel
Controls:	Electronic Touch Controls with Adjustable Color Backlight
Illumination:	2 LED, 2.1 W, 3000 K
Grease Filter:	(2) Dishwasher-Safe, Anodized Aluminum Mesh Filter
Duct Transition:	6" Round with Back Draft Damper (top only)
Installation Type:	Ducted or Recirculating (Kit sold separately)
Electrical:	120 V - 60 Hz, 289 W
KITS:	
Recirculating Kit:	KIT02770 (Contains 2 carbon filters)
30" Hood Liner:	KIT02773 (29" x 17 1/2" - 20 1/2" D x 4" H)
36" Hood Liner:	KIT02774 (35" x 17 1/2" - 20 1/2" D x 4" H)
WARRANTY:***	Two (2) Years Parts & In-Home Labor. Earn an additional One (1) Year of Parts & In-Home Labor by registering on elica.com.

PLUS FEATURES



3X LAYER GREASE FILTER - Elica aluminum mesh filters are a step above competition, featuring triple layered, anodized aluminum that is woven into a highly dense mesh. The thick mesh captures more grease, anodization helps resist staining and provides durability to repeated cleanings in the dishwasher.



LED LIGHT - LED lighting is undoubtedly the smartest solution in terms of energy saving. Expected life is over 20,000 hours, and should last the full life of the hood.



CFM REDUCTION - CFM Reduction System (CRS), is an exclusive feature to Elica hoods, which enables the user to reduce the maximum blower CFM, to meet local code requirements.



Certified Ratings	High Speed	Working Speed	Duct Size
CFM	350	100	6" (Vertical)
Sones	8	0.5	6" (Vertical)

* The product images shown are for illustration purposes only and may not be an exact representation of the product.

** Blower performance indicates the performance of the blower by itself. Performance claims are not AHAM certified but were established in accordance with HVI Standardized test procedure. For Certified Ratings, please refer to AHAM Certified Product Directory. Electric Ratings are declared according to UL.

*** For valid warranty extension, register within 3 months from purchase. For USA & Canada Users Only.