

COMFORT SERIES
ASTI 30"

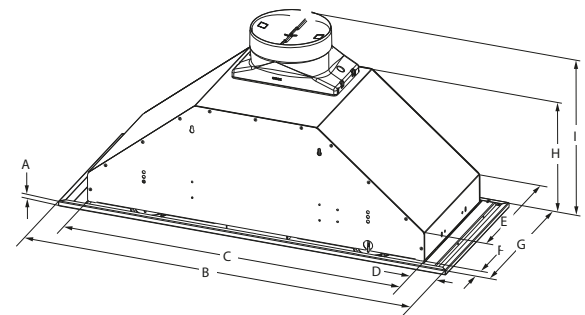


ELICA'S EXCLUSIVE PLUS FEATURES

Asti is designed for discreet mounting inside cabinetry, fits perfectly into 12" deep cabinetry and is ideal for kitchens where space is limited or the range hood needs to be out of sight.

Asti comes equipped with a powerful 400 CFM blower that can handle most cooking needs.

Convenient Mechanical Push Button Controls operate the 3 speed blower and LED lighting, while dishwasher safe anodized aluminum mesh filters covered by a stainless steel protective layer, offer easy maintenance. Asti is designed for standard ducted or recirculating installation.



	EAS430SS
A	3/8"
B	30"
C	26"
D	2"
E	10 3/4"
F	3/4"
G	12"
H	9 1/8"
I	13 5/8"



MOUNTING HEIGHT RANGE

For gas and electric ranges installation: Mount this hood so that the bottom edge is at minimum 30" above the cooking surface.

COMFORT SERIES
ASTI 30"



SPECIFICATIONS



Width:	30" Unit
Model:	EAS430SS
Dimensions:	30 "W x 12 "D x 13 5/8" H
Blower Type(internal):	400 CFM (3 -speed)
Noise (sones):	5.9 Sones
Finish:	Stainless Steel
Controls:	Mechanical Push Button
Illumination:	2 LED, 6.5 W, 3000 K
Grease Filter:	Dishwasher Safe, Stainless Steel Mesh with anodization
Duct Transition:	6" Round with Back Draft Damper (top only)
Installation Type:	Ducted or Recirculating (Kit sold separately)
Electrical:	120 V - 60 Hz, 260 W
KITS:	
Recirculating Kit:	KIT02770 (Contains 2 carbon filters)
Electronic CFM Reduction Bypass Kit:	KIT0175561
WARRANTY:**	Two (2) Years Parts & In-Home Labor. Earn an additional One (1) Year of Parts & In-Home Labor by registering on elica.com.

PLUS FEATURES



LED LIGHT - LED lighting is undoubtedly the smartest solution in terms of energy saving. Expected life is over 20,000 hours, and should last the full life of the hood.

*The product images shown are for illustration purposes only and may not be an exact representation of the product.

** For valid warranty extension, register within 3 months from purchase For USA & Canada Users only.