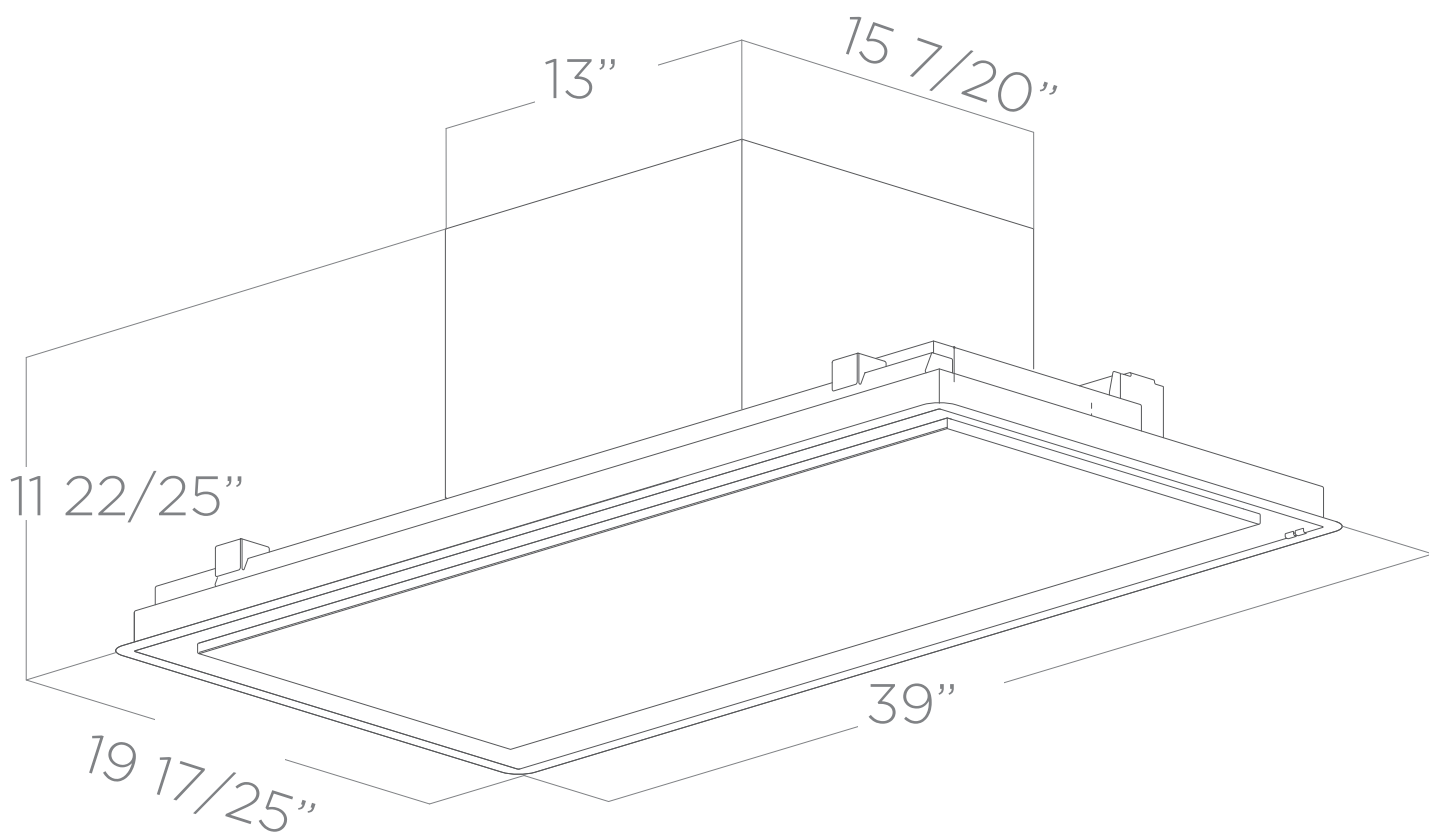


ILLUSION

EIL640WH | EIL640DW



FALSE CEILING CUT: $18 \frac{57}{64}$ X $38 \frac{37}{64}$