

EBF52SS1

Beverage & Wine Center | FRENCH DOOR DUAL ZONE



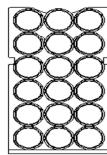
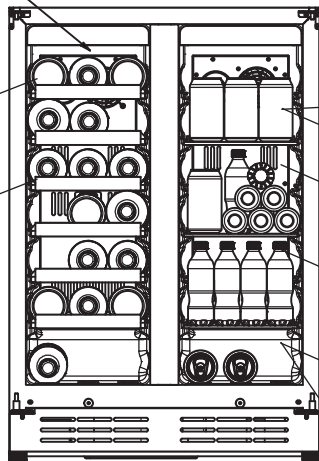
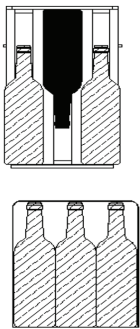
ELICA'S EXCLUSIVE PLUS FEATURES

A paradigm of sophisticated design and seamless construction, RISERVA is your best ally when preserving the freshness of your beverages. Dual Compartments and Dual Cooling zones, offer the elegance of a wine cellar, fused with the convenience of a beverage center.

It holds up to 60 cans (12oz) within the Beverage Zone and up to 21 bottles of wine (21oz) in the Wine Zone. Optimum preservation is ensured thanks to the natural Beechwood shelves, highest quality components that reduce vibration, plus Elica's Perfect Climate technology (EPC) that maintains consistent and even temperature distribution.

STORAGE CAPACITY

COOLING ZONE 2 - WINES
MAX CAPACITY: 3 BOTTLES OF WINE
(25 oz) PER RACK

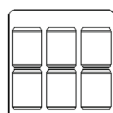


COOLING ZONE 1 - BEV Upper Rack
MAX CAPACITY: 18 CANS (12 oz)

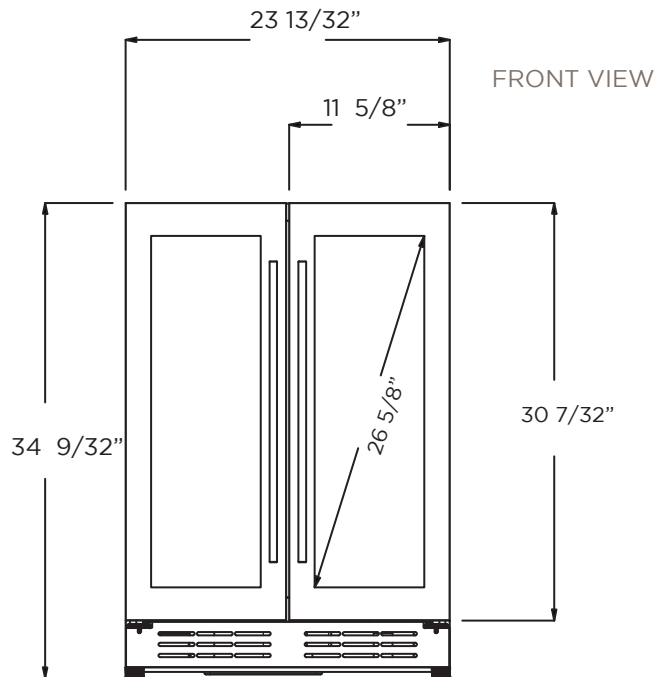
COOLING ZONE 1 - BEV Middle Rack
MAX CAPACITY: 18 CANS (12 oz)

COOLING ZONE 1 - BEV Bottom Rack
MAX CAPACITY: 18 CANS (12 oz)

COOLING ZONE 1 - BEV Bottom Part
MAX CAPACITY: 6 CANS (12 oz)



TOTAL MAX CAPACITY: 21 BOTTLES + 60 CANS
*Do not exceed Max Capacity, avoid product damage and loosing warranty validation



EBF52SS1

Beverage & Wine Center | FRENCH DOOR DUAL ZONE



PRODUCT DESCRIPTION

| | | | |
|-----------------------------------|---|--|--------------------------------------|
| COMMERCIAL CODE - EBF52SS1 | | DOOR | |
| Width | 24" | Door Handle | Tubular |
| Dimensions | 23 13/32" W x 34 13/16" H x 22 13/32" D | Door Glass | Tinted Dual Pane, Low-e Argon-filled |
| Weight | 117 lbs | Reversible Door | No |
| Installation Type | Built-in and Free Standing | ELECTRICAL SPECIFICATIONS | |
| Refrigerant Type | R600a | Compressor Brand | Embraco |
| Volume | 4.8 cu ft (135L) | Min. Circuit Required | 15 A |
| Sound Level | 39 dBA | AC Power | 110-120V/60HZ |
| Door Finish | 304 Stainless Steel + Glass | Amperage | 0.95 A |
| Cabinet Finish | Black | Plug Type | B |
| Interior Finish | Black | OTHERS | |
| Hinge Design | Concealed | Superior Full Extension Racks | |
| Lighting | 3 Level White LED | Beverage Shelving made of Tempered Glass | |
| Controls | Capacitive Touch with Display with white numbers | Premium Beechwood Wine Racks | |
| | | White LED Lights with 3 level KELVIN shade adjustment | |
| COOLING ZONE 1 - BEVERAGES | | Anti Vibration Technology | |
| Total Capacity | > 60 Cans (12 oz) | Double Panel Glass Door, UV coated | |
| Temperature Range | 34 to 68 °F | Sabbath Mode | |
| Shelving | 3 Adjustable Tempered Glass Shelves with metal front trim | Stylish look with tubular handle | |
| | | KITS | |
| COOLING ZONE 2 - WINES | | PRO Handle | KIT0175505 |
| Total Capacity | 21 Bottles of Wine (25 oz) | WARRANTY | |
| Temperature Range | 34 to 68 ° F | 2+1 Year Parts and In-Home Labor Warranty. Third year awarded after product registration on www.elica.com | |
| Shelving | 6 Pieces Beechwood Shelves with Metal Front Trim | | |

LINE DRAWING

